

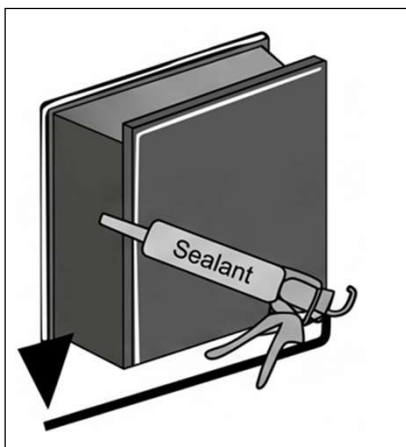
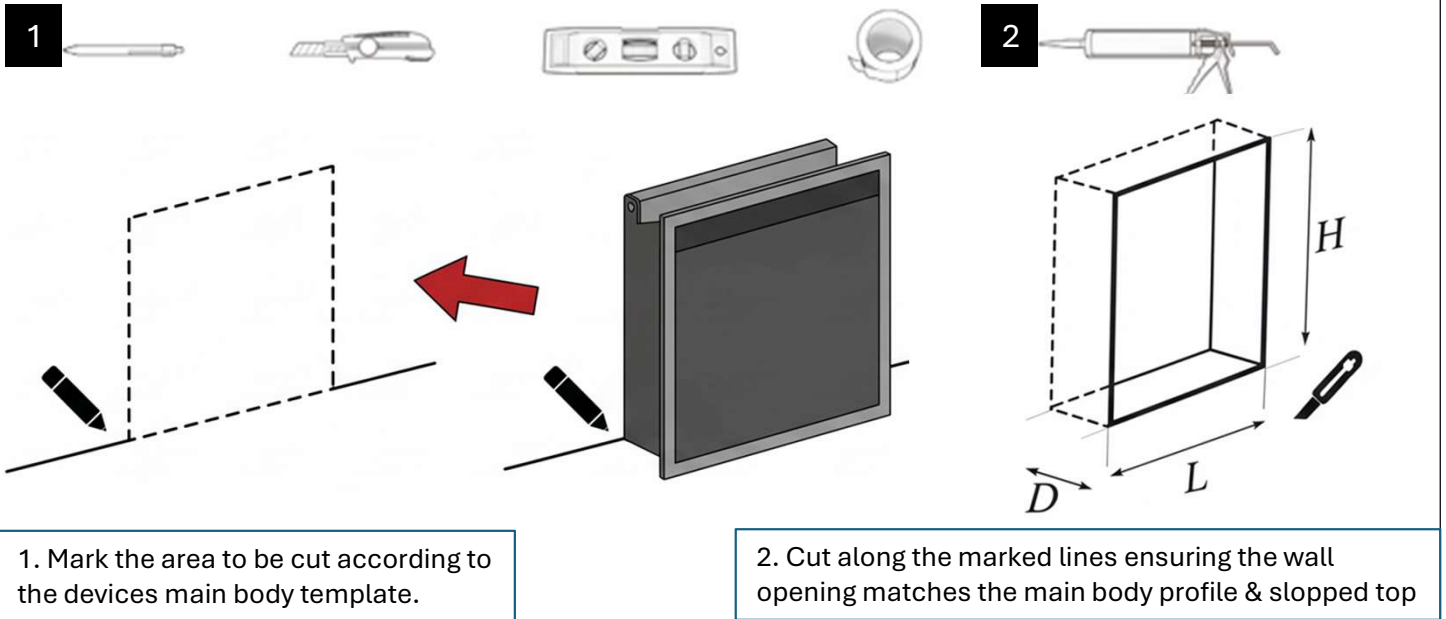
Thank you for purchasing this Sycamore Lighting product.

Please make sure instructions are followed carefully prior to and during installation and product is not altered, otherwise warranty may not be valid. For technical support or warranty information please visit www.sycamoreLED.com or call our dedicated technical helpline +44 (0) 113 2866686.

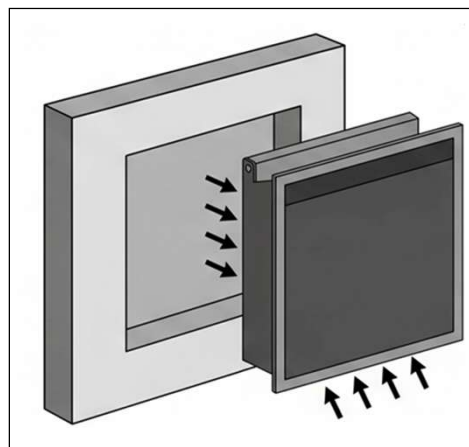
IMPORTANT – Please read prior to installation

1. Please read these instructions carefully before commencing any work
2. Please retain these instructions for future reference
3. This unit must be installed by a qualified electrician in accordance with the IEE wiring regulations and building regulations
4. To prevent electrocution, switch the power off at the mains supply before installing or maintaining this fitting
5. Ensure others cannot restore the electrical supply without your knowledge

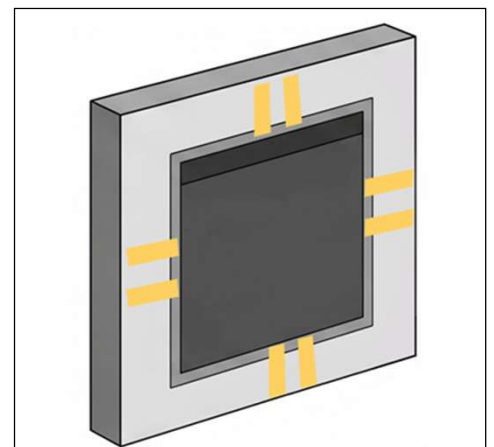
TOOLS REQUIRED



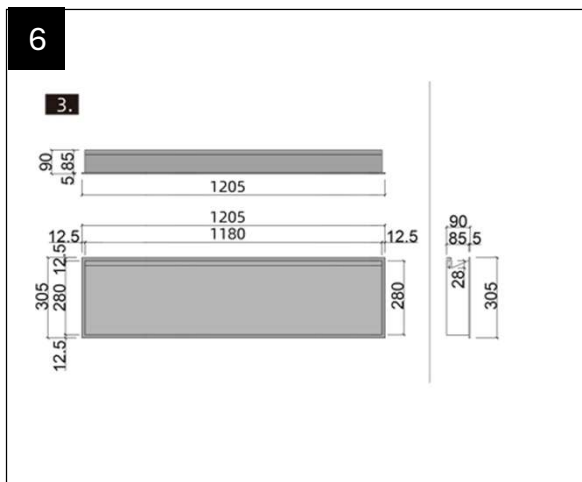
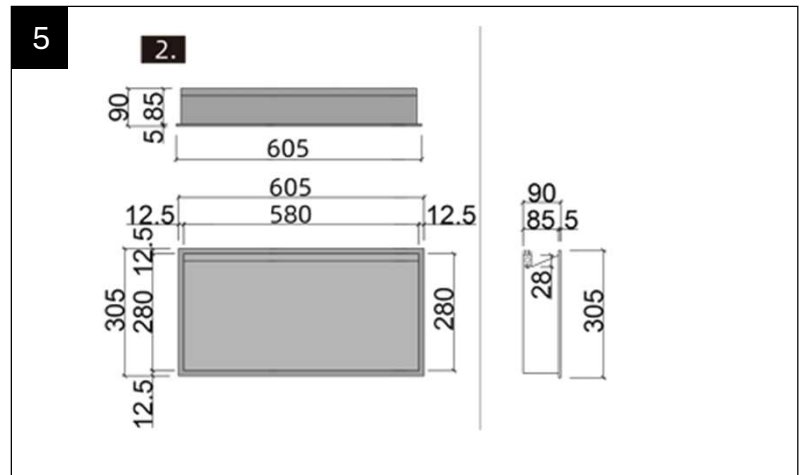
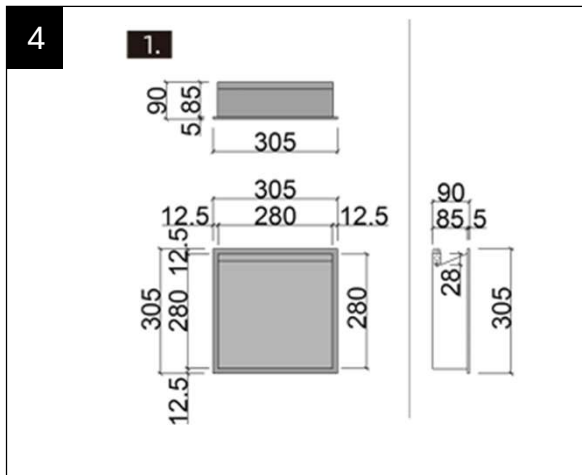
3. Apply silicon sealant bead to the entire rear flange & along the sloped-top interface.



4. Insert the device into the wall opening & press firmly. Remove any excess sealant.



5. Place the tape on the flange to keep the niche in the correct position. Allow to cure for 24h before use.

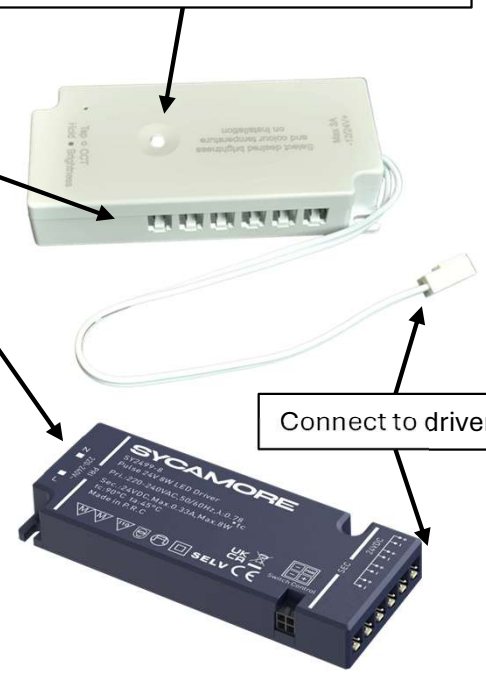


SY5001 TriGlow distribution block
Use button to dim & change the light colour

Plug Niche in here
(any port)

Connect 230v
mains to driver
power cable

Connect to driver



1. The 2m power lead on the niche should be connected into one of the 6 ports on the side of the Tri-Glow block.
2. The cable on the Tri-Glow distribution block is connected to one of the outputs on the front of the driver
3. Press the button on the block to cycle through warm, natural or cool white light.
4. Press & hold to set brightness level required.

SY5100xx-S 305 x 305 24vdc 2.2w
SY5100xx-M 605 x 305 24vdc 4.5w
SY5100xx-L 1205 x 305 24vdc 9w
xx = BL black; BR brass; GM Gunmetal

The driver supplied is none dimmable.
For Mains dimming a dimmable driver must be used.
For dimming via remote/app/voice control the SY5001 TriGlow block is replaced with SY5002 Receiver.

CARE IN USE

1. Please note this fitting has non replaceable parts
2. Always switch off or disconnect from the mains when cleaning the product.
3. We recommend cleaning with a soft dry cloth. Do not use scourers, abrasives or chemical cleaners.
4. Do not allow moisture to come into contact with electrical parts.
5. This luminaire should not be disposed of with normal household waste. When a replacement is purchased, this luminaire should be returned to the retailer to safely dispose of (WEEE Directive effective July 2006—Waste from Electrical & Electronic Equipment)



This product contains a source of energy efficiency class F